

JUKI®

LOWEST COST OF OWNERSHIP

D-Sniper

Multi-function High Speed Dispenser



The non-contact GKG high speed jetting valve, was developed with short firing pin for jetting consistency and reliability. Software data input method provides a simple way to control fluid dispensing volume for all your precision dispensing needs.

• SMT Glue • Underfill • Encapsulation • Corner Bonding • Dam & Fill

SPECIFICATIONS

Dimension (W x D x H)	998 mm x 1,300 mm x 1,450 mm
Dispense Area (min.)	50 mm x 50 mm
Dispense Area (max.)	510 mm x 510mm
Placement Accuracy	± 20 micron @ 3 sigma
Repeatability	± 20 micron @ 3 sigma
Power Supply	2.4kW 220V 50/60HZ
Compress Air Supply	4 ~ 6Kgf/cm ²
Control Method	Industrial PC + Motion Control Card

STANDARD FEATURES

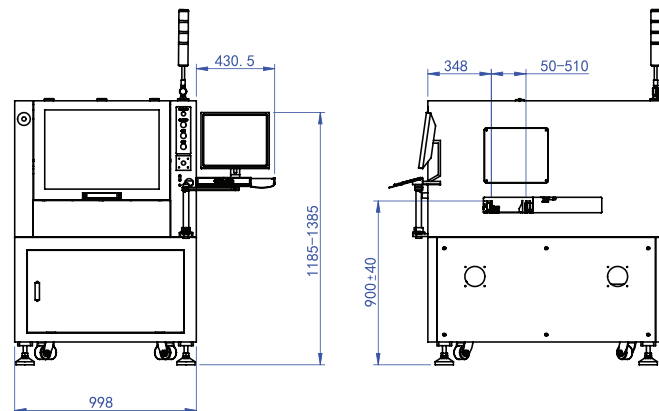
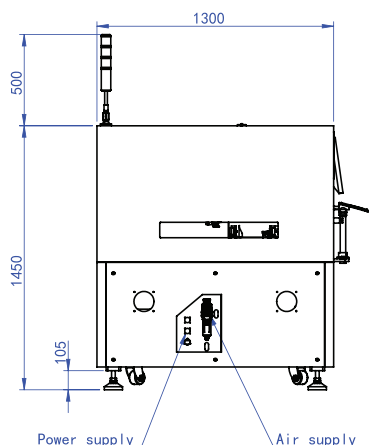
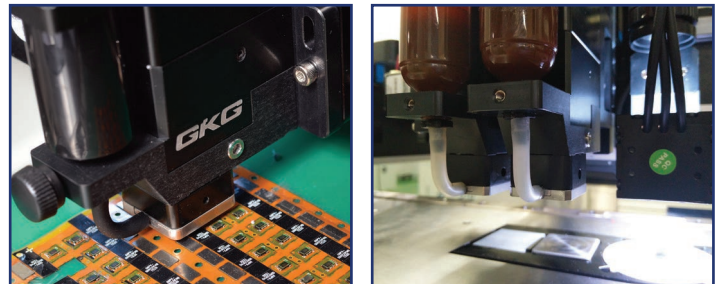
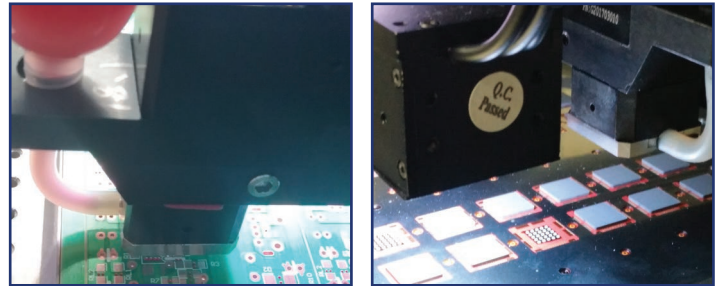
Height Measurement System by laser
Air Stabilizer
Auto nozzle vacuum cleaning function
Single Stage Conveyor
IC Body Recognition
Valve Temperature Regulators
Fluid Level Detection & Alarm
Statistical Process Control
XYZ Origin Calibration Platform
Programming method: Online teaching or import from CAD file

OPTIONS

Precision Material Weight Calibration System
Dual Lane Conveyor System
Substrate Bottom Heating Module
Valve Rotation & Tilting Mechanism
Substrate Auto Loader/Unloader
3 Stage Conveyors with Substrate Bottom Heating Module
Dual Valve Structure (Can perform Simultaneous Dispensing of 2 PCB)



GKG Jetting Valve



JUKI®

MANUFACTURER : JUKI CORPORATION
 INQUIRY : JUKI AUTOMATION SYSTEMS CORPORATION
 2-11-1, Tsurumaki, Tama-shi, Tokyo 206-8551, JAPAN
 TEL.81-42-357-2293 FAX.81-42-357-2285

<http://www.juki.co.jp>

North America Headquarters:

Juki Automation Systems
 5151 McCrimmon Parkway
 Suite 200
 Morrisville, NC 27560
 Phone: 919-460-0111
 Email: sales@jas-smt.com
www.jukiamericas.com

North America Sales Office:

Juki Automation Systems
 412 Kato Terrace
 Fremont, CA 94539
 Phone: 510-249-6700